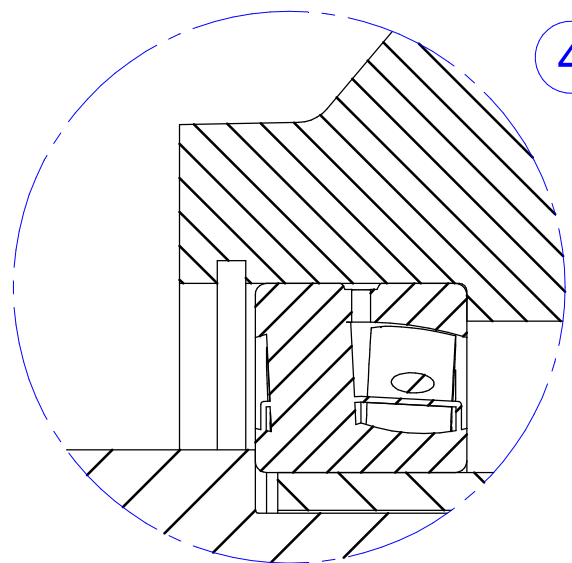


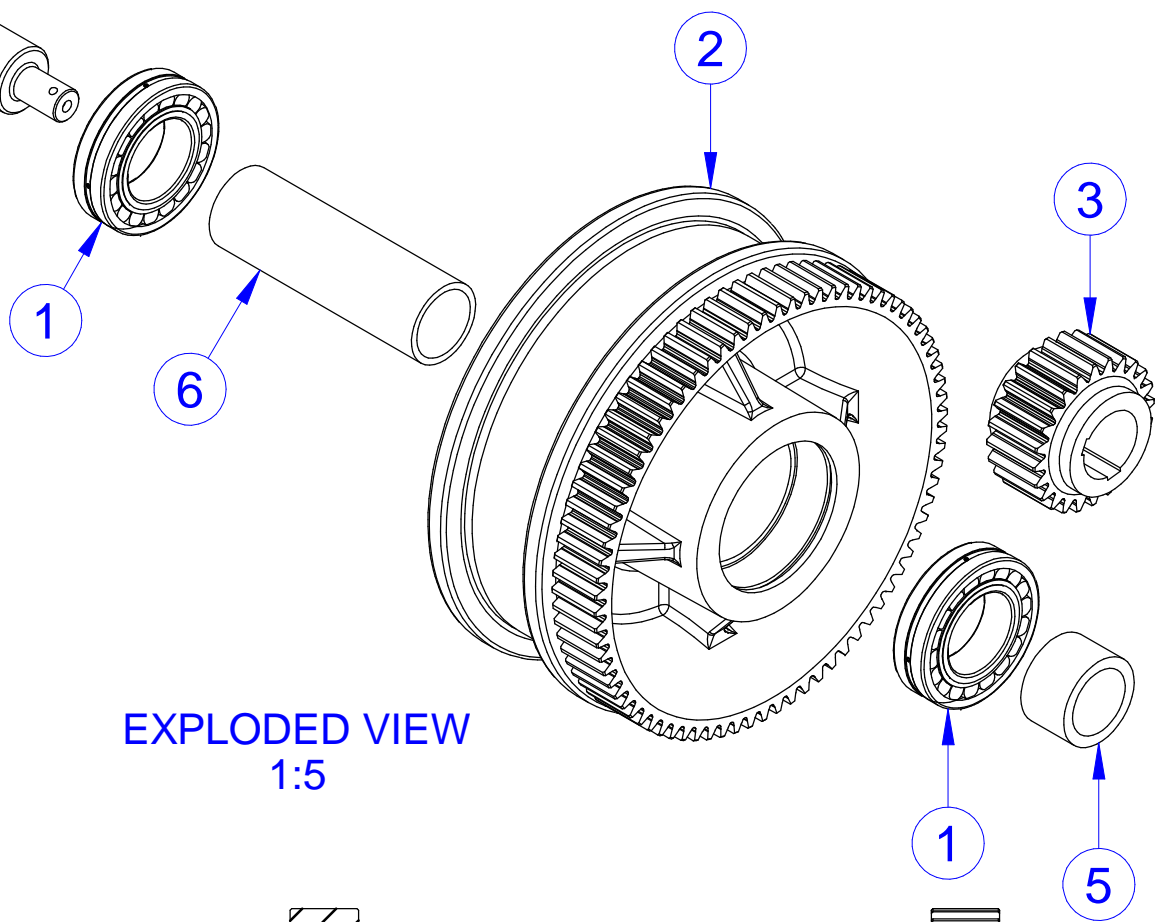
ASSOCIATED ELECTRONIC MEDIA
 WHEEL ASSEMBLY .x_t
 ELECTRONIC MEDIA IS FOR INFORMATION ONLY AND DIMENSIONS MUST BE VERIFIED AGAINST THIS DRAWING.

DRAWING LIST			
Item No.	Qty	Description	Drawing No.
1	2	KOYO 22212 SPHERICAL ROLLER BEARING	22212
2	1	CRANE WHEEL	DE-579-22-001
3	1	PINION GEAR	DE-579-22-002
4	1	SHAFT	DE-579-22-003
5	1	SHAFT SLEEVE	DE-579-22-004
6	1	INNER SLEEVE	DE-579-22-005

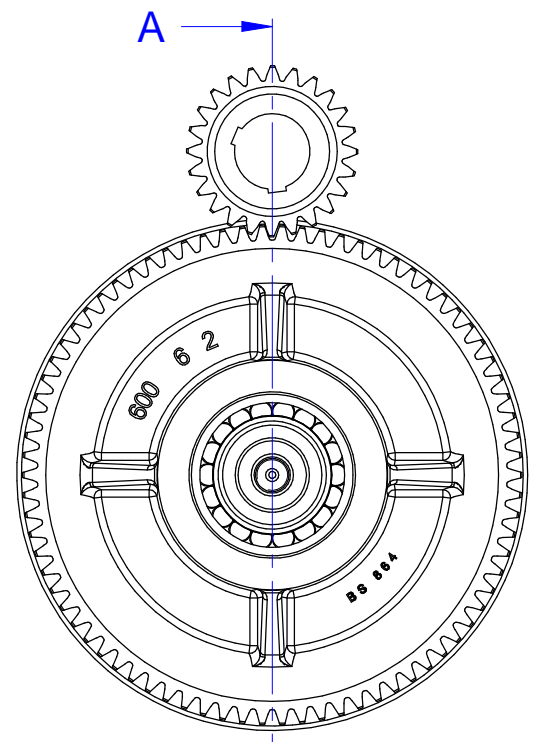
A
B
C
D
E



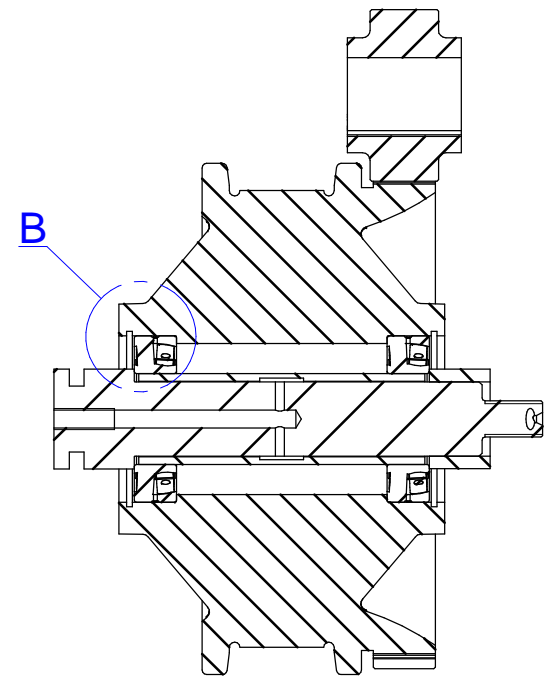
DETAIL B
1:1



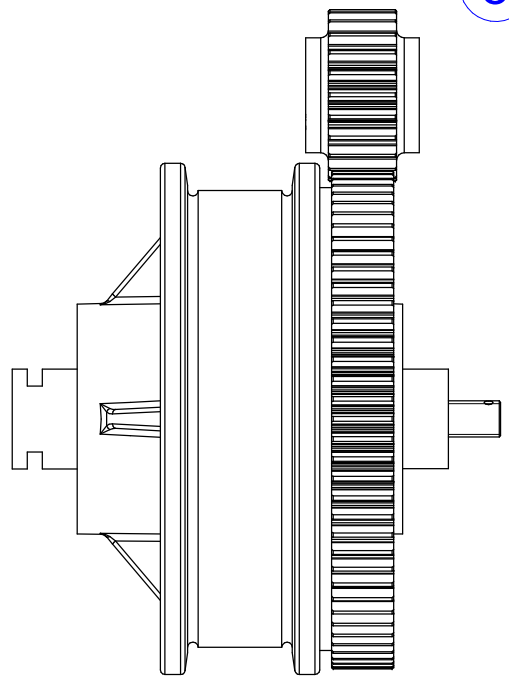
EXPLODED VIEW
1:5



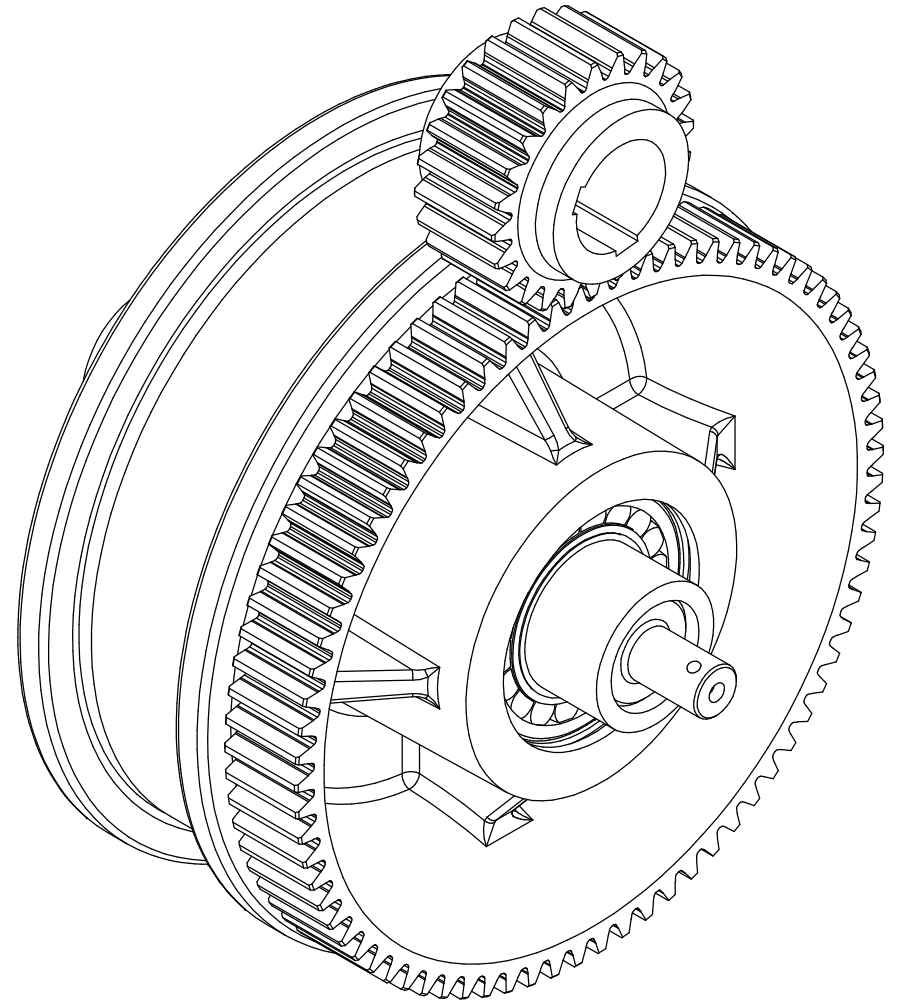
SIDE VIEW
1:5



SECTION A-A
1:5



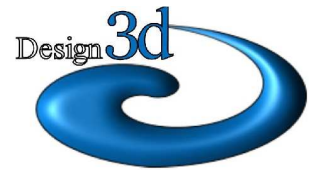
END VIEW
1:5



ISOMETRIC VIEW

FIRST ANGLE PROJECTION		NEXT ASSEMBLY N/A	UNQUOTED TOLERANCES	
	DRAWN TO ISO 128 (ADAPTED) DIMENSIONS IN mm UOS	ASSOCIATED DOCUMENTS N/A	DIMENSIONS ±0,1	ANGLES ±0,1
		SURFACE TEXTURE: ---	ORIGINAL SCALE 1:1	
DO NOT SCALE		FINISHING PROCESS ---	WEIGHT: 7046,7 kg	
		MATERIAL: SEE PART DRAWING		

THIS ENTIRE DOCUMENT AND ALL INFORMATION HEREON IS THE PROPERTY OF 3D CONCEPT DEVELOPERS / DESIGN3D AND SHALL NOT BE REPRODUCED, DUPLICATED OR COPIED IN WHOLE OR IN PART, DISPOSED OF OR MADE AVAILABLE TO ANY OTHER PERSON, FIRM OR CORPORATION OR OTHERWISE USED WITHOUT THE WRITTEN PERMISSION OF 3D CONCEPT DEVELOPERS / DESIGN3D AND MUST BE RETURNED UPON REQUEST.



DESIGN3D
 Design & Drafting Service
 www.design3d.co.za
 3d@design3d.co.za
 TEL. +27 (0)21 556 7462

REVISION	DRAWN	DATE	DESCRIPTION
0	User	10-May-16	
A			
B			
C			
D			

CRANE WHEEL ASSEMBLY		
SIZE	DRAWING NUMBER	REVISION
A3	DE-579-22-000 SHEET 1 OF 1	0