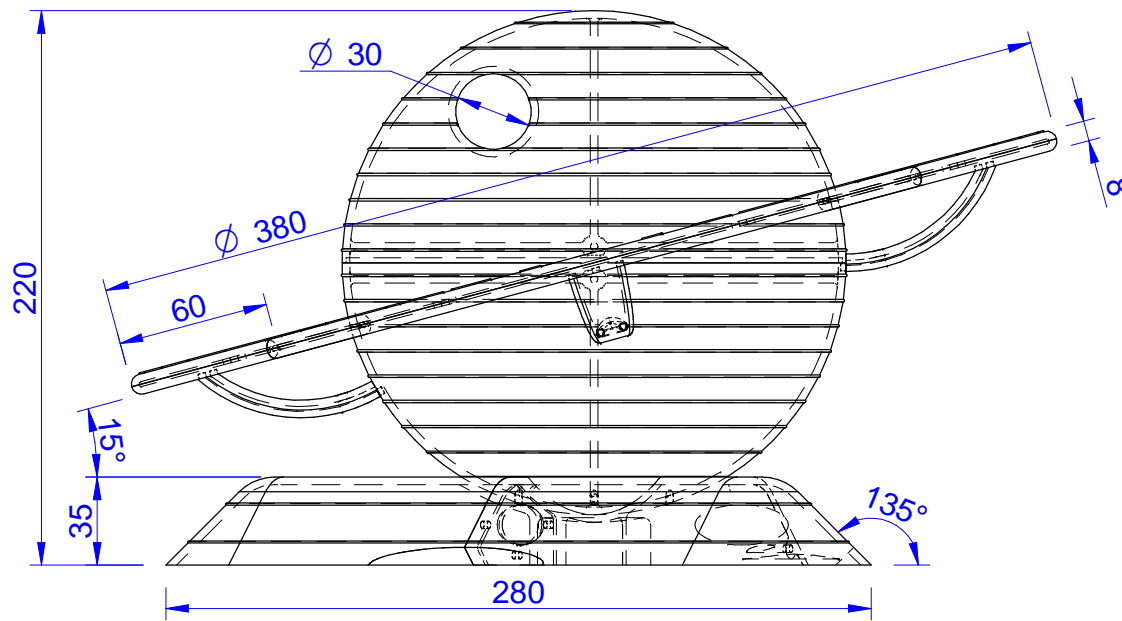
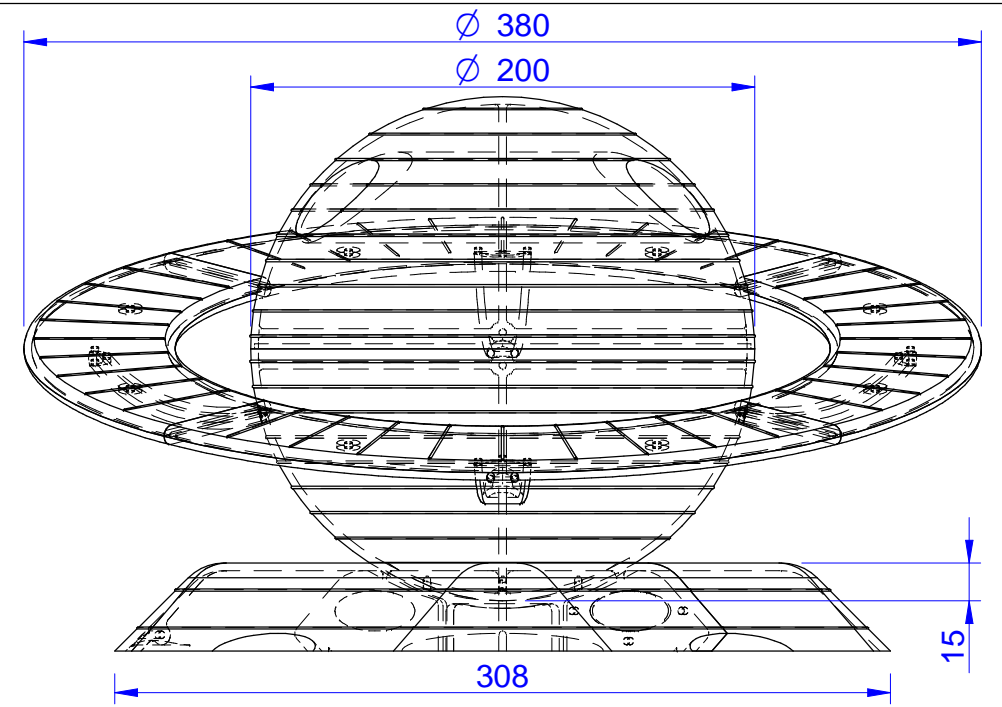


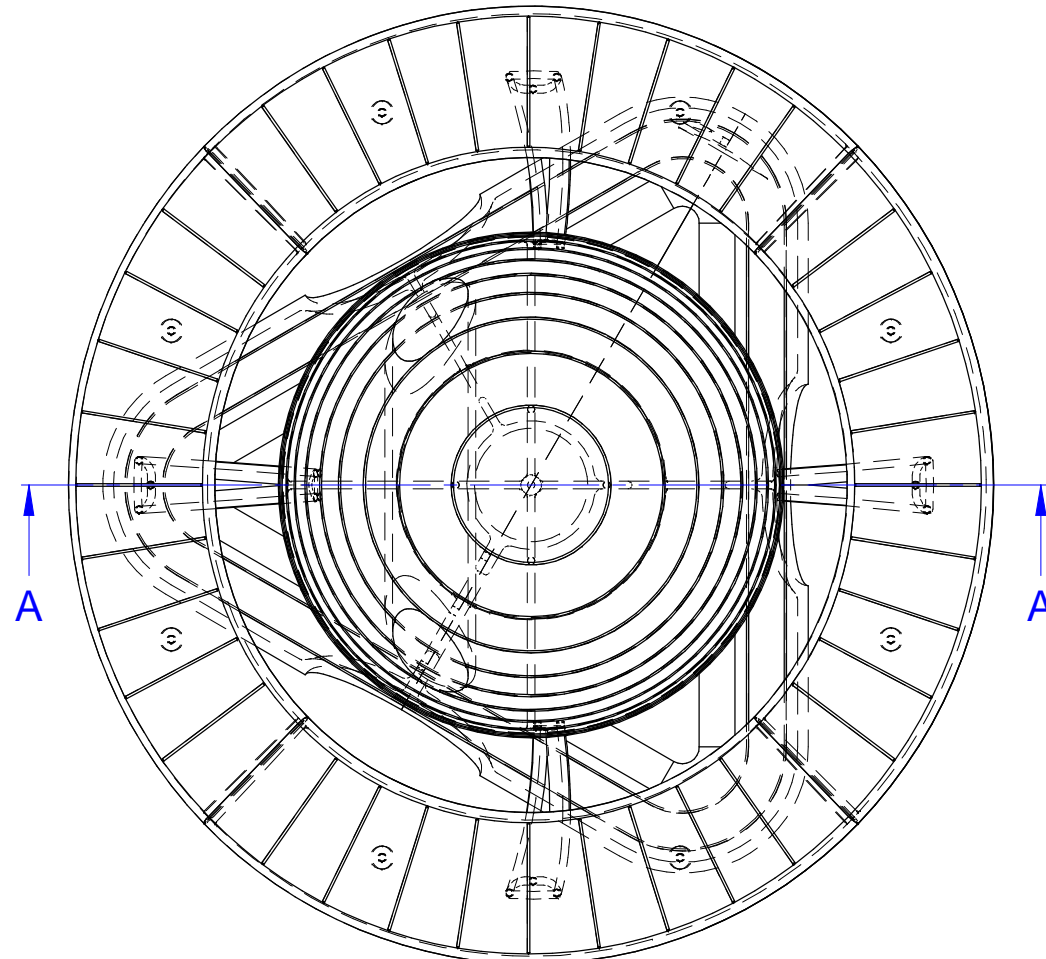
EXPLODED VIEW



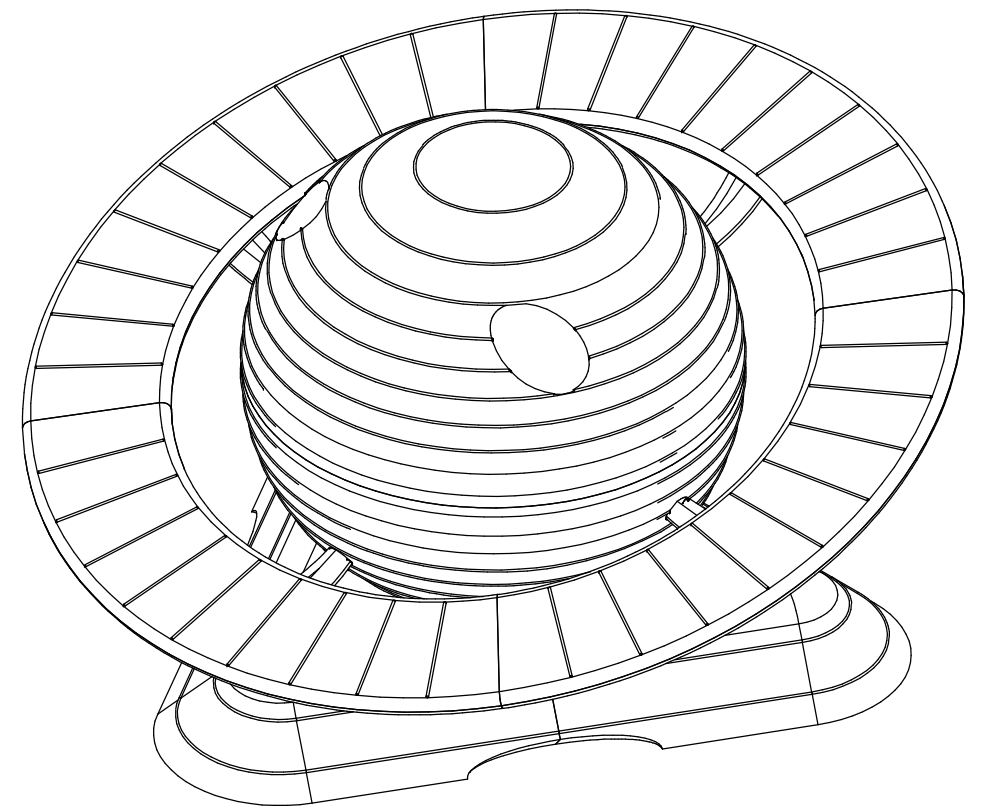
SIDE VIEW
1:3



FRONT END VIEW
1:3



PLAN VIEW
1:3



ISOMETRIC VIEW
1:3

THIS ENTIRE DOCUMENT AND ALL INFORMATION HEREON IS THE PROPERTY OF 3D CONCEPT DEVELOPERS / DESIGN3D AND SHALL NOT BE REPRODUCED, DUPLICATED OR COPIED IN WHOLE OR IN PART, DISPOSED OF OR MADE AVAILABLE TO ANY OTHER PERSON, FIRM OR CORPORATION OR OTHERWISE USED WITHOUT THE WRITTEN PERMISSION OF 3D CONCEPT DEVELOPERS / DESIGN3D AND MUST BE RETURNED UPON REQUEST.



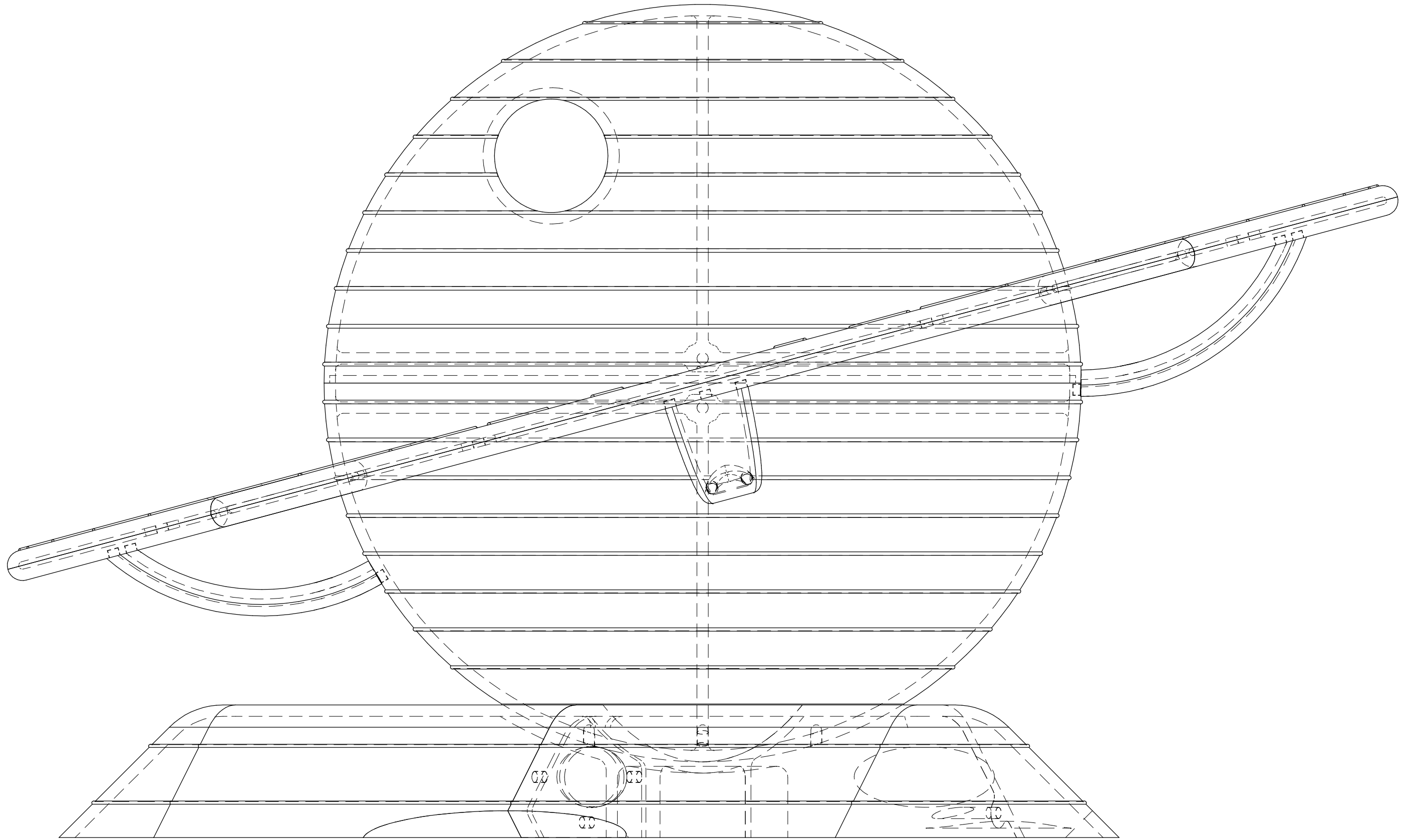
DESIGN3D

Design & Drafting Service
www.design3d.co.za
3d@design3d.co.za
TEL. +27 (0)21 556 7462

REVISION	DRAWN	DATE	DESCRIPTION
0	corrievdn	2013/05/03	
A	corrievdn	2013/05/09	Prep model for Prototyping, add guide lines
B			
C			
D			
E			
F			

CAPE TOWN SPACE CENTER
CORNELUS ARCHITECTURE (Pty) Ltd

SIZE	DRAWING NUMBER	REVISION
A3	DE-594-1-01-000 SHEET 1 OF 5	A



1:1

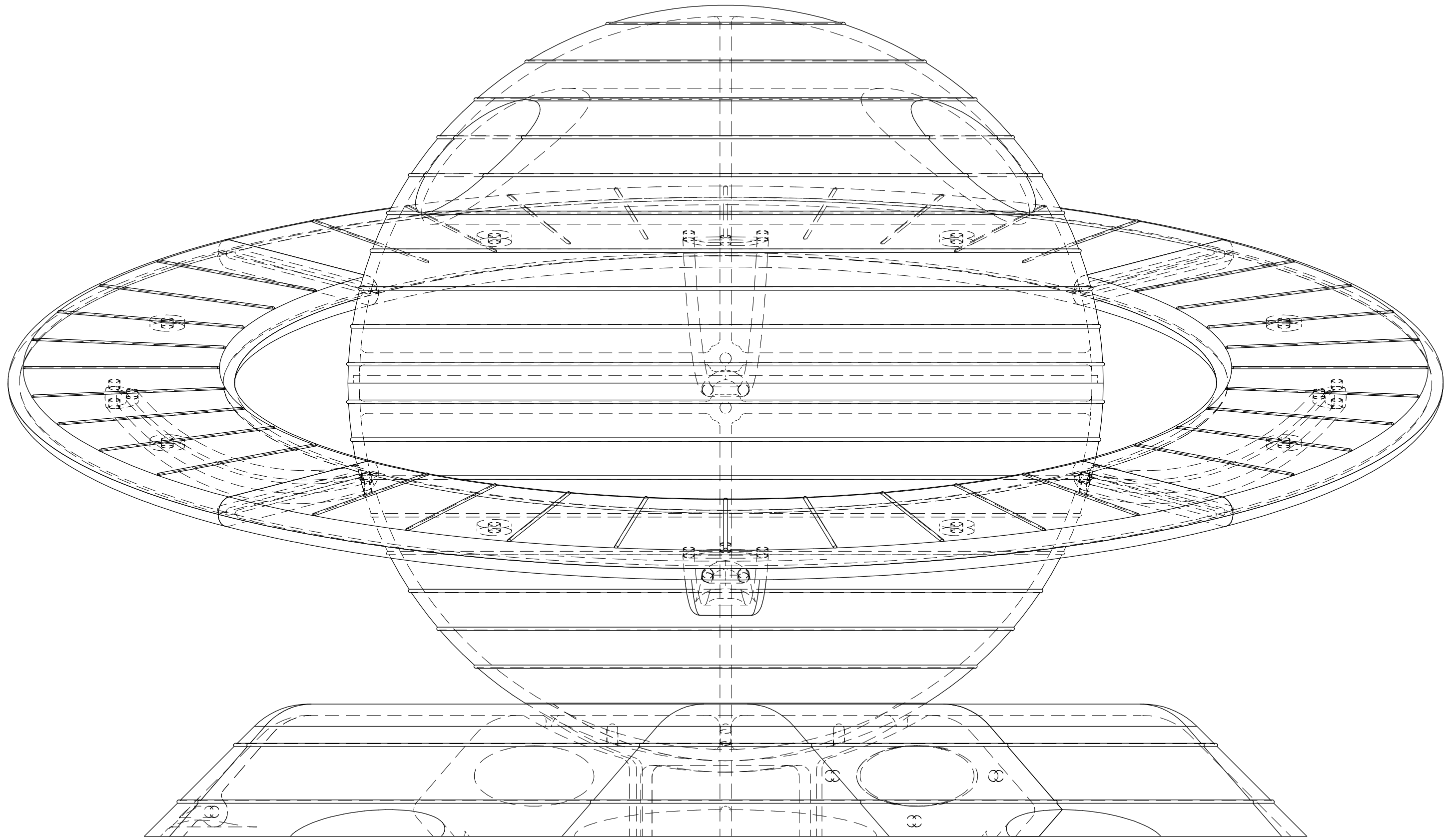
THIS ENTIRE DOCUMENT AND ALL INFORMATION HEREON IS THE PROPERTY OF 3D CONCEPT DEVELOPERS / DESIGN3D AND SHALL NOT BE REPRODUCED, DUPLICATED OR COPIED IN WHOLE OR IN PART, DISPOSED OF OR MADE AVAILABLE TO ANY OTHER PERSON, FIRM OR CORPORATION OR OTHER WISE USED WITHOUT THE WRITTEN PERMISSION OF 3D CONCEPT DEVELOPERS / DESIGN3D AND MUST BE RETURNED UPON REQUEST.



DESIGN3D
 Design & Drafting Service
 www.design3d.co.za
 3d@design3d.co.za
 TEL. +27 (0)21 556 7462

REVISION	DRAWN	DATE	DESCRIPTION
0	corrievdn	2013/05/03	
A	corrievdn	2013/05/09	Prep model for Prototyping, add guide lines
B			
C			
D			
E			
F			

CAPE TOWN SPACE CENTER CORNELUS ARCHITECTURE (Pty) Ltd		
SIZE	DRAWING NUMBER	REVISION
A3	DE-594-1-01-000 SHEET 2 OF 5	A



1:1

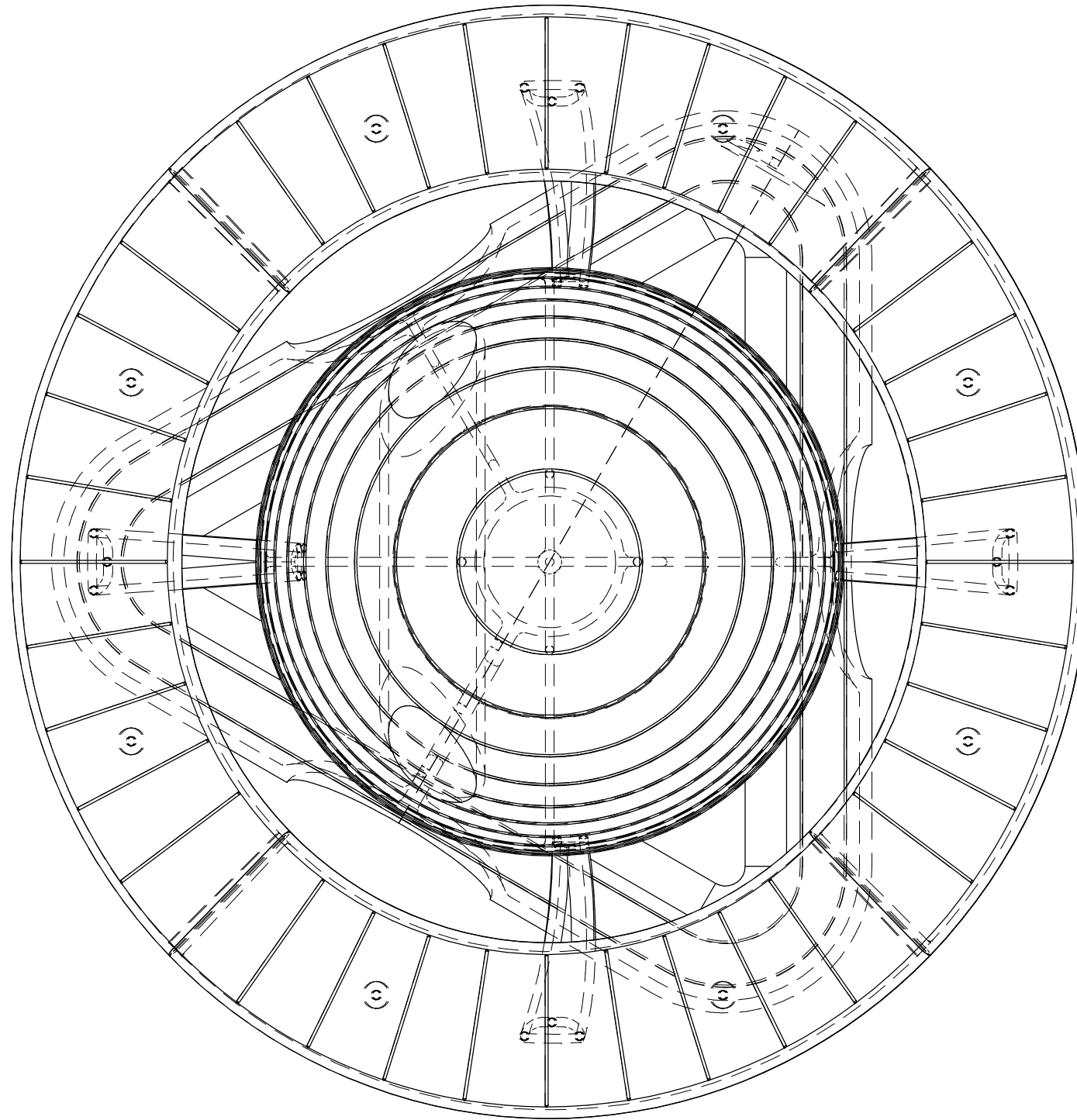
THIS ENTIRE DOCUMENT AND ALL INFORMATION HEREON IS THE PROPERTY OF 3D CONCEPT DEVELOPERS / DESIGN3D AND SHALL NOT BE REPRODUCED, DUPLICATED OR COPIED IN WHOLE OR IN PART, DISPOSED OF OR MADE AVAILABLE TO ANY OTHER PERSON, FIRM OR CORPORATION OR OTHER WISE USED WITHOUT THE WRITTEN PERMISSION OF 3D CONCEPT DEVELOPERS / DESIGN3D AND MUST BE RETURNED UPON REQUEST.



DESIGN3D
 Design & Drafting Service
 www.design3d.co.za
 3d@design3d.co.za
 TEL. +27 (0)21 556 7462

REVISION	DRAWN	DATE	DESCRIPTION
0	corrievdn	2013/05/03	
A	corrievdn	2013/05/09	Prep model for Prototyping, add guide lines
B			
C			
D			
E			
F			

CAPE TOWN SPACE CENTER CORNELUS ARCHITECTURE (Pty) Ltd		
SIZE	DRAWING NUMBER	REVISION
A3	DE-594-1-01-000 SHEET 3 OF 5	A



1:2

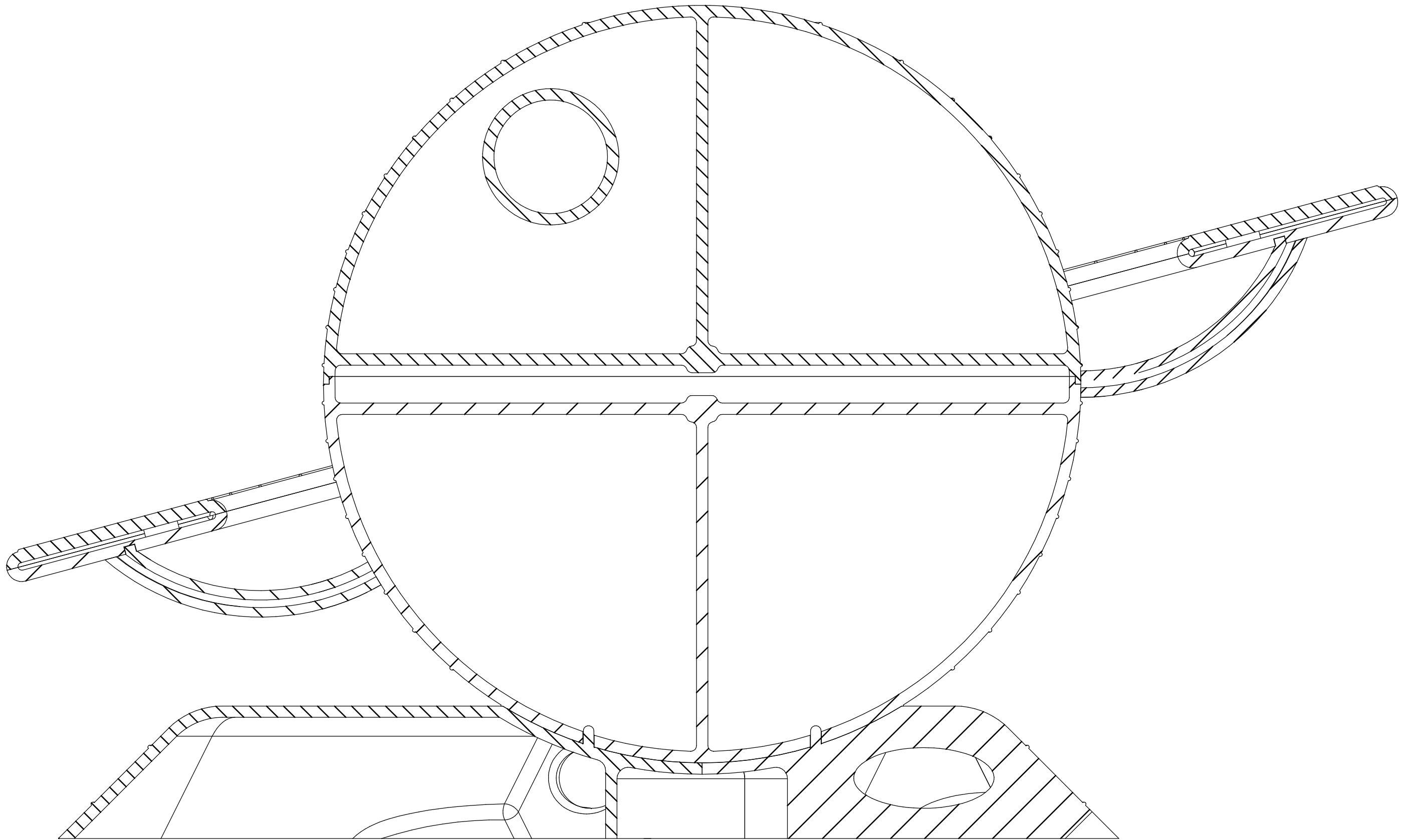
THIS ENTIRE DOCUMENT AND ALL INFORMATION HEREON IS THE PROPERTY OF 3D CONCEPT DEVELOPERS / DESIGN3D AND SHALL NOT BE REPRODUCED, DUPLICATED OR COPIED IN WHOLE OR IN PART, DISPOSED OF OR MADE AVAILABLE TO ANY OTHER PERSON, FIRM OR CORPORATION OR OTHER WISE USED WITHOUT THE WRITTEN PERMISSION OF 3D CONCEPT DEVELOPERS / DESIGN3D AND MUST BE RETURNED UPON REQUEST.



DESIGN3D
 Design & Drafting Service
 www.design3d.co.za
 3d@design3d.co.za
 TEL. +27 (0)21 556 7462

REVISION	DRAWN	DATE	DESCRIPTION
0	corrievdn	2013/05/03	
A	corrievdn	2013/05/09	Prep model for Prototyping, add guide lines
B			
C			
D			
E			
F			

CAPE TOWN SPACE CENTER CORNELUS ARCHITECTURE (Pty) Ltd		
SIZE	DRAWING NUMBER	REVISION
A3	DE-594-1-01-000 SHEET 4 OF 5	A



SECTION A-A
1:1

THIS ENTIRE DOCUMENT AND ALL INFORMATION HEREON IS THE PROPERTY OF 3D CONCEPT DEVELOPERS / DESIGN3D AND SHALL NOT BE REPRODUCED, DUPLICATED OR COPIED IN WHOLE OR IN PART, DISPOSED OF OR MADE AVAILABLE TO ANY OTHER PERSON, FIRM OR CORPORATION OR OTHER WISE USED WITHOUT THE WRITTEN PERMISSION OF 3D CONCEPT DEVELOPERS / DESIGN3D AND MUST BE RETURNED UPON REQUEST.



DESIGN3D
Design & Drafting Service
www.design3d.co.za
3d@design3d.co.za
TEL. +27 (0)21 556 7462

REVISION	DRAWN	DATE	DESCRIPTION
0	corrievdn	2013/05/03	
A	corrievdn	2013/05/09	Prep model for Prototyping, add guide lines
B			
C			
D			
E			
F			

CAPE TOWN SPACE CENTER CORNELUS ARCHITECTURE (Pty) Ltd		
SIZE	DRAWING NUMBER	REVISION
A3	DE-594-1-01-000 SHEET 5 OF 5	A